

# HEAVY DUTY COMPRESSION SPRINGS

## Stock sizes in chrome alloy steel

The use of high quality chrome alloy steel combines maximum load with long life.

Designed to work in a pocket or over a shaft, our SPEC heavy duty springs are ideally suited for applications where high loads are needed, and limited space is available.

## Material

Chrome Silicon per Associated Spring SV 9254 - rectangular wire with rounded corners.

## Direction of Helix

Right hand.

## Ends

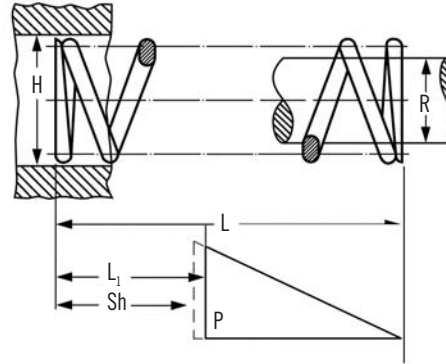
Squared and ground.

## Finish

Standard finish is that of the normal wire. Due to residual stresses induced during the manufacturing process. Electroplating is not recommended. Other finishes available on request.

## Tolerances

Free length is for reference only. O.D. and I.D. are designed to fit in hole or over rod as specified in the table below. Outside diameters are dimensioned to allow a minimum of .020" (.51mm) clearance in the specified hole diameter when the spring is in the free state.



L= Free Length  
 L<sub>1</sub>= Load Length  
 P= Load at L<sub>1</sub>  
 H= Hole Diameter  
 R= Rod Diameter  
 Sh= Solid Height (Approx.)

STOCK HEAVY DUTY COMPRESSION SPRINGS

Catalog Number	Fits in Hole Size (H)		Fits over Shaft (R)		Wire Size		Free Length (L) (Reference)		Load @ Load Length (P) (Reference)		Load Length (L <sub>1</sub> )		Solid Height (Sh) (Approx.)		Spring Rate ±15%	
	in	mm	in	mm	in	mm	in	mm	lb	N	in	mm	in	mm	lb/in	N/mm
CV0375-1000-039							1.00	25.40	15.0	66.72	0.750	19.050	0.50	12.70	60	10.5
CV0375-1250-039							1.25	31.75	15.6	69.39	0.938	23.830	0.63	15.88	50	8.8
CV0375-1500-039							1.50	38.10	15.8	70.28	1.125	28.580	0.75	19.05	42	7.4
CV0375-1750-039					0.039 X 0.070	0.991 X 1.778	1.75	44.45	16.2	72.06	1.313	33.350	0.88	22.23	37	6.5
CV0375-2000-039							2.00	50.80	15.5	68.94	1.500	38.100	1.00	25.40	31	5.4
CV0375-2500-039							2.50	63.50	16.3	72.50	1.875	47.630	1.25	31.75	26	4.6
CV0375-3000-039							3.00	76.20	15.8	70.28	2.250	57.150	1.50	38.10	21	3.7
CV0375-12000-039							12.00	304.80	18.0	80.06	9.000	228.600	6.00	152.40	6	1.1
CV0375-1000-046							1.00	25.40	21.0	93.41	0.750	19.050	0.63	16.00	84	14.7
CV0375-1250-046							1.25	31.75	22.8	101.41	0.938	23.830	0.79	20.00	73	12.8
CV0375-1500-046							1.50	38.10	25.1	111.64	1.125	28.580	0.95	24.00	67	11.7
CV0375-1750-046					0.046 X 0.073	1.168 X 1.854	1.75	44.45	25.3	112.53	1.313	33.350	1.10	28.00	58	10.2
CV0375-2000-046							2.00	50.80	25.0	111.20	1.500	38.100	1.26	32.00	50	8.8
CV0375-2500-046							2.50	63.50	23.1	102.75	1.875	47.630	1.58	40.01	37	6.5
CV0375-3000-046	0.375	9.530	0.187	4.75			3.00	76.20	22.5	100.08	2.250	57.150	1.89	48.01	30	5.3
CV0375-12000-046							12.00	304.80	24.0	106.75	9.000	228.600	7.56	192.02	8	1.4
CV0375-1000-054							1.00	25.40	17.4	77.40	0.850	21.590	0.70	17.78	116	20.3
CV0375-1250-054							1.25	31.75	18.3	81.40	1.063	27.000	0.88	22.23	98	17.2
CV0375-1500-054							1.50	38.10	18.0	80.06	1.275	32.380	1.05	26.67	80	14
CV0375-1750-054					0.054 X 0.072	1.372 X 1.829	1.75	44.45	19.7	87.63	1.488	37.790	1.23	31.12	75	13.1
CV0375-2000-054							2.00	50.80	18.6	82.73	1.700	43.180	1.40	35.56	62	10.9
CV0375-2500-054							2.50	63.50	18.8	83.62	2.125	53.970	1.75	44.45	50	8.8
CV0375-3000-054							3.00	76.20	18.5	82.29	2.550	64.770	2.10	53.34	41	7.2
CV0375-12000-054							12.00	304.80	19.8	88.07	10.200	259.080	8.40	213.36	11	1.9
CV0375-1000-059							1.00	25.40	31.5	140.11	0.850	21.590	0.75	19.05	210	36.8
CV0375-1250-059							1.25	31.75	27.3	121.43	1.063	27.000	0.94	23.81	146	25.6
CV0375-1500-059							1.50	38.10	28.1	124.99	1.275	32.380	1.13	28.58	125	21.9
CV0375-1750-059					0.059 X 0.080	1.499 X 2.032	1.75	44.45	27.5	122.32	1.488	37.790	1.31	33.34	105	18.4
CV0375-2000-059							2.00	50.80	27.0	120.10	1.700	43.180	1.50	38.10	90	15.8
CV0375-2500-059							2.50	63.50	28.1	124.99	2.125	53.970	1.88	47.63	75	13.1
CV0375-3000-059							3.00	76.20	28.4	126.32	2.550	64.770	2.25	57.15	63	11
CV0375-12000-059							12.00	304.80	27.0	120.10	10.200	259.080	9.00	228.60	15	2.6
CV0500-1000-052							1.00	25.40	27.5	122.32	0.750	19.050	0.50	12.70	110	19.3
CV0500-1250-052	0.500	12.700	0.281	7.14	0.052 X 0.093	1.321 X 2.362	1.25	31.75	25.6	113.87	0.938	23.830	0.63	15.88	82	14.4
CV0500-1500-052							1.50	38.10	25.5	113.42	1.125	28.580	0.75	19.05	68	11.9
CV0500-1750-052							1.75	44.45	26.2	116.54	1.313	33.350	0.88	22.23	60	10.5



**STOCK HEAVY DUTY COMPRESSION SPRINGS**

Catalog Number	Fits in Hole Size (H)		Fits over Shaft (R)		Wire Size		Free Length (L) (Reference)		Load @ Load Length (P) (Reference)		Load Length (L <sub>1</sub> )		Solid Height (Sh) (Approx.)		Spring Rate ±15%	
	in	mm	in	mm	in	mm	in	mm	lb	N	in	mm	in	mm	lb/in	N/mm
CV0500-2000-052							2.00	50.80	27.5	122.32	1.500	38.100	1.00	25.40	55	9.6
CV0500-2500-052							2.50	63.50	28.1	124.99	1.875	47.630	1.25	31.75	45	7.9
CV0500-3000-052							3.00	76.20	26.3	116.98	2.250	57.150	1.50	38.10	35	6.1
CV0500-3500-052					0.052 X 0.093	1.321 X 2.362	3.50	88.90	26.3	116.98	2.625	66.680	1.75	44.45	30	5.3
CV0500-4500-052							4.50	114.30	25.9	115.20	3.375	85.720	2.25	57.15	23	4
CV0500-5500-052							5.50	139.70	27.5	122.32	4.125	104.780	2.75	69.85	20	3.5
CV0500-6500-052							6.50	165.10	22.8	101.41	4.875	123.820	3.25	82.55	14	2.5
CV0500-7500-052							7.50	190.50	22.5	100.08	5.625	142.880	3.75	95.25	12	2.1
CV0500-12000-052							12.00	304.80	21.0	93.41	9.000	228.600	6.00	152.40	7	1.2
CV0500-1000-061							1.00	25.40	38.8	172.58	0.750	19.050	0.63	16.00	155	27.1
CV0500-1250-061							1.25	31.75	38.1	169.47	0.938	23.830	0.79	20.00	122	21.4
CV0500-1500-061							1.50	38.10	36.8	163.69	1.125	28.580	0.95	24.00	98	17.2
CV0500-1750-061							1.75	44.45	37.1	165.02	1.313	33.350	1.10	28.00	85	14.9
CV0500-2000-061					0.061 X 0.094	1.549 X 2.388	2.00	50.80	37.5	166.80	1.500	38.100	1.26	32.00	75	13.1
CV0500-2500-061							2.50	63.50	37.5	166.80	1.875	47.630	1.58	40.01	60	10.5
CV0500-3000-061							3.00	76.20	38.3	170.36	2.250	57.150	1.89	48.01	51	8.9
CV0500-3500-061							3.50	88.90	35.0	155.68	2.625	66.680	2.21	56.01	40	7
CV0500-12000-061	0.500	12.700	0.281	7.14			12.00	304.80	33.0	146.78	9.000	228.600	7.56	192.02	11	1.9
CV0500-1000-072							1.00	25.40	33.8	150.34	0.850	21.590	0.70	17.78	225	39.4
CV0500-1250-072							1.25	31.75	34.2	152.12	1.062	26.980	0.88	22.23	182	31.9
CV0500-1500-072							1.50	38.10	33.3	148.12	1.275	32.380	1.05	26.67	148	25.9
CV0500-1750-072							1.75	44.45	33.1	147.23	1.487	37.770	1.23	31.12	126	22.1
CV0500-2000-072					0.072 X 0.095	1.829 X 2.413	2.00	50.80	33.0	146.78	1.700	43.180	1.40	35.56	110	19.3
CV0500-2500-072							2.50	63.50	32.3	143.67	2.125	53.970	1.75	44.45	86	15.1
CV0500-3000-072							3.00	76.20	33.3	148.12	2.550	64.770	2.10	53.34	74	13
CV0500-3500-072							3.50	88.90	31.5	140.11	2.975	75.570	2.45	62.23	60	10.5
CV0500-12000-072							12.00	304.80	30.6	136.11	10.200	259.080	8.40	213.36	17	3
CV0500-1000-084							1.00	25.40	46.5	206.83	0.850	21.590	0.75	19.05	310	54.3
CV0500-1250-084							1.25	31.75	45.1	200.60	1.062	26.980	0.94	23.81	240	42
CV0500-1500-084							1.50	38.10	43.2	192.15	1.275	32.380	1.13	28.58	192	33.6
CV0500-1750-084							1.75	44.45	44.7	198.83	1.487	37.770	1.31	33.34	170	29.8
CV0500-2000-084					0.084 X 0.097	2.134 X 2.464	2.00	50.80	42.0	186.82	1.700	43.180	1.50	38.10	140	24.5
CV0500-2500-084							2.50	63.50	43.1	191.71	2.125	53.970	1.88	47.63	115	20.1
CV0500-3000-084							3.00	76.20	42.3	188.15	2.550	64.770	2.25	57.15	94	16.5
CV0500-3500-084							3.50	88.90	42.0	186.82	2.975	75.570	2.63	66.68	80	14
CV0500-12000-084							12.00	304.80	43.2	192.15	10.200	259.080	9.00	228.60	24	4.2
CV0625-1000-069							1.00	25.40	41.0	182.37	0.750	19.050	0.53	13.46	164	28.7
CV0625-1250-069							1.25	31.75	38.8	172.58	0.937	23.800	0.68	17.27	124	21.7
CV0625-1500-069							1.50	38.10	40.5	180.14	1.125	28.580	0.75	19.05	108	18.9
CV0625-1750-069							1.75	44.45	42.0	186.82	1.312	33.330	0.88	22.23	96	16.8
CV0625-2000-069					0.069 X 0.109	1.753 X 2.769	2.00	50.80	43.0	191.26	1.500	38.100	1.00	25.40	86	15.1
CV0625-2500-069							2.50	63.50	40.6	180.59	1.875	47.630	1.25	31.75	65	11.4
CV0625-3000-069							3.00	76.20	43.5	193.49	2.250	57.150	1.50	38.10	58	10.2
CV0625-3500-069							3.50	88.90	43.8	194.82	2.625	66.680	1.75	44.45	50	8.8
CV0625-4000-069							4.00	101.60	44.0	195.71	3.000	76.200	2.00	50.80	44	7.7
CV0625-12000-069							12.00	304.80	45.0	200.16	9.000	228.600	6.00	152.40	15	2.6
CV0625-1000-081							1.00	25.40	75.0	333.60	0.750	19.050	0.63	16.00	300	52.5
CV0625-1250-081							1.25	31.75	67.3	299.35	0.937	23.800	0.79	20.00	215	37.6
CV0625-1500-081							1.50	38.10	71.3	317.14	1.125	28.580	0.95	24.00	190	33.3
CV0625-1750-081	0.625	15.875	0.343	8.72	0.081 X 0.123	2.057 X 3.124	1.75	44.45	73.6	327.37	1.312	33.330	1.10	28.00	168	29.4
CV0625-2000-081							2.00	50.80	77.5	344.72	1.500	38.100	1.26	32.00	155	27.1
CV0625-2500-081							2.50	63.50	71.9	319.81	1.875	47.630	1.58	40.01	115	20.1
CV0625-3000-081							3.00	76.20	75.0	333.60	2.250	57.150	1.89	48.01	100	17.5
CV0625-3500-081							3.50	88.90	74.4	330.93	2.625	66.680	2.21	56.01	85	14.9
CV0625-4000-081							4.00	101.60	76.0	338.05	3.000	76.200	2.52	64.01	76	13.3
CV0625-12000-081							12.00	304.80	78.0	346.94	9.000	228.600	7.56	192.02	26	4.6
CV0625-1000-093							1.00	25.40	63.6	282.89	0.850	21.590	0.70	17.78	424	74.2
CV0625-1250-093							1.25	31.75	61.1	271.77	1.062	26.980	0.88	22.23	325	56.9
CV0625-1500-093							1.50	38.10	63.0	280.22	1.275	32.380	1.05	26.67	280	49
CV0625-1750-093					0.093 X 0.125	2.362 X 3.175	1.75	44.45	63.1	280.67	1.487	37.770	1.23	31.12	240	42
CV0625-2000-093							2.00	50.80	62.4	277.56	1.700	43.180	1.40	35.56	208	36.4
CV0625-2500-093							2.50	63.50	63.8	283.78	2.125	53.970	1.75	44.45	170	29.8
CV0625-3000-093							3.00	76.20	63.0	280.22	2.550	64.770	2.10	53.34	140	24.5
CV0625-3500-093							3.50	88.90	64.1	285.12	2.975	75.570	2.45	62.23	122	21.4



TO ORDER: WWW.ASRAYMOND.COM OR SEE PHONE & FAX NUMBERS ON BACK COVER

**SPEC**



**STOCK HEAVY DUTY COMPRESSION SPRINGS**

Catalog Number	Fits in Hole Size (H)		Fits over Shaft (R)		Wire Size		Free Length (L) (Reference)		Load @ Load Length (P) (Reference)		Load Length (L <sub>s</sub> )		Solid Height (Sh) (Approx.)		Spring Rate ±15%	
	in	mm	in	mm	in	mm	in	mm	lb	N	in	mm	in	mm	lb/in	N/mm
CV0625-4000-093					0.093 X 0.125	2.362 X 3.175	4.00	101.60	64.8	288.23	3.400	86.360	2.80	71.12	108	18.9
CV0625-12000-093							12.00	304.80	54.0	240.19	10.200	259.080	8.40	213.36	30	5.3
CV0625-1000-110							1.00	25.40	94.5	420.34	0.850	21.590	0.75	19.05	630	110.3
CV0625-1250-110							1.25	31.75	82.3	366.07	1.062	26.980	0.94	23.81	438	76.7
CV0625-1500-110							1.50	38.10	83.3	370.52	1.275	32.380	1.13	28.58	370	64.8
CV0625-1750-110	0.625	15.875	0.343	8.72	0.110 X 0.126	2.794 X 3.2	1.75	44.45	81.5	362.51	1.487	37.770	1.31	33.34	310	54.3
CV0625-2000-110							2.00	50.80	84.0	373.63	1.700	43.180	1.50	38.10	280	49
CV0625-2500-110							2.50	63.50	82.5	366.96	2.125	53.970	1.88	47.63	220	38.5
CV0625-3000-110							3.00	76.20	85.5	380.30	2.550	64.770	2.25	57.15	190	33.3
CV0625-3500-110							3.50	88.90	80.9	359.84	2.975	75.570	2.63	66.68	154	27
CV0625-4000-110							4.00	101.60	81.0	360.29	3.400	86.360	3.00	76.20	135	23.6
CV0625-12000-110							12.00	304.80	81.0	360.29	10.200	259.080	9.00	228.60	45	7.9
CV0750-1000-075							1.00	25.40	80.0	355.84	0.750	19.050	0.50	12.70	320	56
CV0750-1250-075							1.25	31.75	80.1	356.28	0.937	23.800	0.65	16.51	256	44.8
CV0750-1500-075							1.50	38.10	75.0	333.60	1.125	28.580	0.78	19.81	200	35
CV0750-1750-075							1.75	44.45	77.1	342.94	1.312	33.330	0.88	22.23	176	30.8
CV0750-2000-075							2.00	50.80	75.0	333.60	1.500	38.100	1.00	25.40	150	26.3
CV0750-2500-075							2.50	63.50	75.0	333.60	1.875	47.630	1.25	31.75	120	21
CV0750-3000-075							3.00	76.20	75.8	337.16	2.250	57.150	1.50	38.10	101	17.7
CV0750-3500-075					0.075 X 0.165	1.905 X 4.191	3.50	88.90	72.6	322.92	2.625	66.680	1.75	44.45	83	14.5
CV0750-4000-075							4.00	101.60	75.0	333.60	3.000	76.200	2.00	50.80	75	13.1
CV0750-4500-075							4.50	114.30	72.0	320.26	3.375	85.720	2.25	57.15	64	11.2
CV0750-5000-075							5.00	127.00	75.0	333.60	3.750	95.250	2.50	63.50	60	10.5
CV0750-5500-075							5.50	139.70	75.6	336.27	4.125	104.780	2.75	69.85	55	9.6
CV0750-6000-075							6.00	152.40	75.0	333.60	4.500	114.300	3.00	76.20	50	8.8
CV0750-6500-075							6.50	165.10	76.4	339.83	4.875	123.820	3.25	82.55	47	8.2
CV0750-7500-075							7.50	190.50	71.3	317.14	5.625	142.880	3.75	95.25	38	6.7
CV0750-12000-075							12.00	304.80	72.0	320.26	9.000	228.600	6.00	152.40	24	4.2
CV0750-1000-093							1.00	25.40	125.0	556.00	0.750	19.050	0.63	16.00	500	87.5
CV0750-1250-093							1.25	31.75	118.9	528.87	0.937	23.800	0.79	20.00	380	66.5
CV0750-1500-093							1.50	38.10	116.3	517.30	1.125	28.580	0.95	24.00	310	54.3
CV0750-1750-093							1.75	44.45	118.3	526.20	1.312	33.330	1.10	28.00	270	47.3
CV0750-2000-093							2.00	50.80	120.0	533.76	1.500	38.100	1.26	32.00	240	42
CV0750-2500-093							2.50	63.50	117.5	522.64	1.875	47.630	1.58	40.01	188	32.9
CV0750-3000-093					0.093 X 0.156	2.362 X 3.962	3.00	76.20	111.8	497.29	2.250	57.150	1.89	48.01	149	26.1
CV0750-3500-093							3.50	88.90	112.0	498.18	2.625	66.680	2.21	56.01	128	22.4
CV0750-4000-093							4.00	101.60	110.0	489.28	3.000	76.200	2.52	64.01	110	19.3
CV0750-4500-093							4.50	114.30	112.5	500.40	3.375	85.720	2.84	72.01	100	17.5
CV0750-5000-093	0.750	19.050	0.375	9.52			5.00	127.00	112.5	500.40	3.750	95.250	3.15	80.01	90	15.8
CV0750-5500-093							5.50	139.70	110.0	489.28	4.125	104.780	3.47	88.01	80	14
CV0750-6000-093							6.00	152.40	112.5	500.40	4.500	114.300	3.78	96.01	75	13.1
CV0750-12000-093							12.00	304.80	105.0	467.04	9.000	228.600	7.56	192.02	35	6.1
CV0750-1000-125							1.00	25.40	162.0	720.58	0.850	21.590	0.73	18.54	1080	189
CV0750-1250-125							1.25	31.75	165.4	735.70	1.062	26.980	0.90	22.86	880	154
CV0750-1500-125							1.50	38.10	155.3	690.77	1.275	32.380	1.05	26.67	690	120.8
CV0750-1750-125							1.75	44.45	157.8	701.89	1.487	37.770	1.23	31.12	600	105
CV0750-2000-125							2.00	50.80	154.5	687.22	1.700	43.180	1.40	35.56	515	90.1
CV0750-2500-125							2.50	63.50	150.0	667.20	2.125	53.970	1.75	44.45	400	70
CV0750-3000-125					0.125 X 0.165	3.175 X 4.191	3.00	76.20	148.5	660.53	2.550	64.770	2.10	53.34	330	57.8
CV0750-3500-125							3.50	88.90	152.3	677.43	2.975	75.570	2.45	62.23	290	50.8
CV0750-4000-125							4.00	101.60	150.0	667.20	3.400	86.360	2.80	71.12	250	43.8
CV0750-4500-125							4.50	114.30	148.5	660.53	3.825	97.150	3.15	80.01	220	38.5
CV0750-5000-125							5.00	127.00	146.3	650.74	4.250	107.950	3.50	88.90	195	34.1
CV0750-5500-125							5.50	139.70	146.9	653.41	4.675	118.750	3.85	97.79	178	31.2
CV0750-6000-125							6.00	152.40	144.0	640.51	5.100	129.540	4.20	106.68	160	28
CV0750-12000-125							12.00	304.80	144.0	640.51	10.200	259.080	8.40	213.36	80	14
CV0750-1000-135							1.00	25.40	210.0	934.08	0.850	21.590	0.75	19.05	1400	245
CV0750-1250-135							1.25	31.75	206.8	919.85	1.062	26.980	0.94	23.81	1100	192.5
CV0750-1500-135							1.50	38.10	200.3	890.93	1.275	32.380	1.13	28.58	890	155.8
CV0750-1750-135					0.135 X 0.165	3.429 X 4.191	1.75	44.45	197.3	877.59	1.487	37.770	1.31	33.34	750	131.3
CV0750-2000-135							2.00	50.80	198.0	880.70	1.700	43.180	1.50	38.10	660	115.5
CV0750-2500-135							2.50	63.50	187.5	834.00	2.125	53.970	1.88	47.63	500	87.5
CV0750-3000-135							3.00	76.20	182.3	810.87	2.550	64.770	2.25	57.15	405	70.9
CV0750-3500-135							3.50	88.90	181.1	805.53	2.975	75.570	2.63	66.68	345	60.4



**STOCK HEAVY DUTY COMPRESSION SPRINGS**

Catalog Number	Fits in Hole Size (H)		Fits over Shaft (R)		Wire Size		Free Length (L) (Reference)		Load @ Load Length (P) (Reference)		Load Length (L <sub>1</sub> )		Solid Height (Sh) (Approx.)		Spring Rate ±15%	
	in	mm	in	mm	in	mm	in	mm	lb	N	in	mm	in	mm	lb/in	N/mm
CV0750-4000-135							4.00	101.60	180.0	800.64	3.400	86.360	3.00	76.20	300	52.5
CV0750-4500-135							4.50	114.30	178.9	795.75	3.825	97.150	3.38	85.73	265	46.4
CV0750-5000-135	0.750	19.050	0.375	9.52	0.135 X 0.165	3.429 X 4.191	5.00	127.00	176.3	784.18	4.250	107.950	3.75	95.25	235	41.1
CV0750-5500-135							5.50	139.70	177.4	789.08	4.675	118.750	4.13	104.78	215	37.6
CV0750-6000-135							6.00	152.40	175.5	780.62	5.100	129.540	4.50	114.30	195	34.1
CV0750-12000-135							12.00	304.80	171.0	760.61	10.200	259.080	9.00	228.60	95	16.6
CV1000-1000-100							1.00	25.40	137.5	611.60	0.750	19.050	0.60	15.24	550	96.3
CV1000-1250-100							1.25	31.75	140.9	626.72	0.937	23.800	0.70	17.78	450	78.8
CV1000-1500-100							1.50	38.10	139.9	622.28	1.125	28.580	0.80	20.32	373	65.3
CV1000-1750-100							1.75	44.45	140.2	623.61	1.312	33.330	0.88	22.23	320	56
CV1000-2000-100							2.00	50.80	134.0	596.03	1.500	38.100	1.00	25.40	268	46.9
CV1000-2500-100							2.50	63.50	130.6	580.91	1.875	47.630	1.25	31.75	209	36.6
CV1000-3000-100							3.00	76.20	128.3	570.68	2.250	57.150	1.50	38.10	171	29.9
CV1000-3500-100					0.100 X 0.215	2.54 X 5.461	3.50	88.90	126.9	564.45	2.625	66.680	1.75	44.45	145	25.4
CV1000-4000-100							4.00	101.60	125.0	556.00	3.000	76.200	2.00	50.80	125	21.9
CV1000-4500-100							4.50	114.30	124.9	555.56	3.375	85.720	2.25	57.15	111	19.4
CV1000-5000-100							5.00	127.00	120.0	533.76	3.750	95.250	2.50	63.50	96	16.8
CV1000-5500-100							5.50	139.70	121.0	538.21	4.125	104.780	2.75	69.85	88	15.4
CV1000-6000-100							6.00	152.40	120.0	533.76	4.500	114.300	3.00	76.20	80	14
CV1000-7000-100							7.00	177.80	126.0	560.45	5.250	133.350	3.50	88.90	72	12.6
CV1000-8000-100							8.00	203.20	120.0	533.76	6.000	152.400	4.00	101.60	60	10.5
CV1000-12000-100							12.00	304.80	120.0	533.76	9.000	228.600	6.00	152.40	40	7
CV1000-1000-115							1.00	25.40	206.8	919.85	0.750	19.050	0.68	17.27	827	144.7
CV1000-1250-115							1.25	31.75	204.4	909.17	0.937	23.800	0.79	20.00	653	114.3
CV1000-1500-115							1.50	38.10	201.8	897.61	1.125	28.580	0.95	24.00	538	94.2
CV1000-1750-115							1.75	44.45	201.9	898.05	1.312	33.330	1.10	28.00	461	80.7
CV1000-2000-115							2.00	50.80	200.0	889.60	1.500	38.100	1.26	32.00	400	70
CV1000-2500-115							2.50	63.50	201.3	895.38	1.875	47.630	1.58	40.01	322	56.4
CV1000-3000-115							3.00	76.20	200.3	890.93	2.250	57.150	1.89	48.01	267	46.7
CV1000-3500-115					0.115 X 0.218	2.921 X 5.537	3.50	88.90	200.4	891.38	2.625	66.680	2.21	56.01	229	40.1
CV1000-4000-115							4.00	101.60	202.0	898.50	3.000	76.200	2.52	64.01	202	35.4
CV1000-4500-115							4.50	114.30	200.3	890.93	3.375	85.720	2.84	72.01	178	31.2
CV1000-5000-115							5.00	127.00	196.3	873.14	3.750	95.250	3.15	80.01	157	27.5
CV1000-5500-115							5.50	139.70	188.4	838.00	4.125	104.780	3.47	88.01	137	24
CV1000-6000-115	1.000	25.400	0.5	12.7			6.00	152.40	187.5	834.00	4.500	114.300	3.78	96.01	125	21.9
CV1000-7000-115							7.00	177.80	190.8	848.68	5.250	133.350	4.41	112.01	109	19.1
CV1000-8000-115							8.00	203.20	192.0	854.02	6.000	152.400	5.04	128.02	96	16.8
CV1000-12000-115							12.00	304.80	195.0	867.36	9.000	228.600	7.56	192.02	65	11.4
CV1000-1000-158							1.00	25.40	289.8	1289.03	0.850	21.590	0.73	18.54	1932	338.1
CV1000-1250-158							1.25	31.75	275.4	1224.98	1.062	26.980	0.88	22.23	1465	256.4
CV1000-1500-158							1.50	38.10	270.0	1200.96	1.275	32.380	1.05	26.67	1200	210
CV1000-1750-158							1.75	44.45	273.5	1216.53	1.487	37.770	1.23	31.12	1040	182
CV1000-2000-158							2.00	50.80	261.6	1163.60	1.700	43.180	1.40	35.56	872	152.6
CV1000-2500-158							2.50	63.50	249.4	1109.33	2.125	53.970	1.75	44.45	665	116.4
CV1000-3000-158							3.00	76.20	244.8	1088.87	2.550	64.770	2.10	53.34	544	95.2
CV1000-3500-158							3.50	88.90	239.4	1064.85	2.975	75.570	2.45	62.23	456	79.8
CV1000-4000-158					0.158 X 0.221	4.013 X 5.613	4.00	101.60	240.0	1067.52	3.400	86.360	2.80	71.12	400	70
CV1000-4500-158							4.50	114.30	237.6	1056.84	3.825	97.150	3.15	80.01	352	61.6
CV1000-5000-158							5.00	127.00	234.0	1040.83	4.250	107.950	3.50	88.90	312	54.6
CV1000-5500-158							5.50	139.70	237.6	1056.84	4.675	118.750	3.85	97.79	288	50.4
CV1000-6000-158							6.00	152.40	230.4	1024.82	5.100	129.540	4.20	106.68	256	44.8
CV1000-7000-158							7.00	177.80	235.2	1046.17	5.950	151.130	4.90	124.46	224	39.2
CV1000-8000-158							8.00	203.20	230.4	1024.82	6.800	172.720	5.60	142.24	192	33.6
CV1000-12000-158							12.00	304.80	230.4	1024.82	10.200	259.080	8.40	213.36	128	22.4
CV1000-1500-188							1.50	38.10	360.0	1601.28	1.275	32.380	1.13	28.58	1600	280
CV1000-2000-188							2.00	50.80	348.0	1547.90	1.700	43.180	1.50	38.10	1160	203
CV1000-2500-188							2.50	63.50	336.0	1494.53	2.125	53.970	1.88	47.63	896	156.8
CV1000-3000-188							3.00	76.20	331.2	1473.18	2.550	64.770	2.25	57.15	736	128.8
CV1000-3500-188							3.50	88.90	327.6	1457.16	2.975	75.570	2.63	66.68	624	109.2
CV1000-4000-188					0.188 X 0.221	4.775 X 5.613	4.00	101.60	331.2	1473.18	3.400	86.360	3.00	76.20	552	96.6
CV1000-4500-188							4.50	114.30	329.4	1465.17	3.825	97.150	3.38	85.73	488	85.4
CV1000-5000-188							5.00	127.00	324.0	1441.15	4.250	107.950	3.75	95.25	432	75.6
CV1000-6000-188							6.00	152.40	324.0	1441.15	5.100	129.540	4.50	114.30	360	63
CV1000-12000-188							12.00	304.30	316.8	1409.13	10.200	259.080	9.00	228.60	176	30.8



TO ORDER: WWW.ASRAYMOND.COM OR SEE PHONE & FAX NUMBERS ON BACK COVER

**SPEC**



**STOCK HEAVY DUTY COMPRESSION SPRINGS**

Catalog Number	Fits in Hole Size (H)		Fits over Shaft (R)		Wire Size		Free Length (L) (Reference)		Load @ Load Length (P) (Reference)		Load Length (L <sub>1</sub> )		Solid Height (Sh) (Approx.)		Spring Rate ±15%	
	in	mm	in	mm	in	mm	in	mm	lb	N	in	mm	in	mm	lb/in	N/mm
CV1250-1500-115							1.50	38.10	186.0	827.33	1.125	28.580	0.83	21.08	496	86.8
CV1250-1750-115							1.75	44.45	177.8	790.85	1.312	33.330	0.90	22.86	406	71.1
CV1250-2000-115							2.00	50.80	188.0	836.22	1.500	38.100	1.00	25.40	376	65.8
CV1250-2500-115							2.50	63.50	180.0	800.64	1.875	47.630	1.25	31.75	288	50.4
CV1250-3000-115							3.00	76.20	180.0	800.64	2.250	57.150	1.50	38.10	240	42
CV1250-3500-115							3.50	88.90	175.0	778.40	2.625	66.680	1.75	44.45	200	35
CV1250-4000-115							4.00	101.60	176.0	782.85	3.000	76.200	2.00	50.80	176	30.8
CV1250-4500-115					0.115 X 0.285	2.921 X 7.239	4.50	114.30	180.0	800.64	3.375	85.720	2.25	57.15	160	28
CV1250-5000-115							5.00	127.00	178.8	795.30	3.750	95.250	2.50	63.50	143	25
CV1250-5500-115							5.50	138.70	176.0	782.85	4.125	104.780	2.75	69.85	128	22.4
CV1250-6000-115							6.00	152.40	180.0	800.64	4.500	114.300	3.00	76.20	120	21
CV1250-7000-115							7.00	177.80	182.0	809.54	5.250	133.350	3.50	88.90	104	18.2
CV1250-8000-115							8.00	203.20	176.0	782.85	6.000	152.400	4.00	101.60	88	15.4
CV1250-10000-115							10.00	254.00	180.0	800.64	7.500	190.500	5.00	127.00	72	12.6
CV1250-12000-115							12.00	304.80	180.0	800.64	9.000	228.600	6.00	152.40	60	10.5
CV1250-1500-156							1.50	38.10	429.0	1908.19	1.125	28.580	0.98	24.89	1144	200.2
CV1250-1750-156							1.75	44.45	441.5	1963.79	1.312	33.330	1.10	28.00	1008	176.4
CV1250-2000-156							2.00	50.80	419.0	1863.71	1.500	38.100	1.26	32.00	838	146.7
CV1250-2500-156							2.50	63.50	390.0	1734.72	1.875	47.630	1.58	40.01	624	109.2
CV1250-3000-156							3.00	76.20	384.0	1708.03	2.250	57.150	1.89	48.01	512	89.6
CV1250-3500-156							3.50	88.90	385.0	1712.48	2.625	66.680	2.21	56.01	440	77
CV1250-4000-156							4.00	101.60	381.0	1694.69	3.000	76.200	2.52	64.01	381	66.7
CV1250-4500-156					0.156 X 0.281	3.962 X 7.137	4.50	114.30	370.1	1646.20	3.375	85.720	2.84	72.01	329	57.6
CV1250-5000-156							5.00	127.00	375.0	1668.00	3.750	95.250	3.15	80.01	300	52.5
CV1250-5500-156							5.50	139.70	363.0	1614.62	4.125	104.780	3.47	88.01	264	46.2
CV1250-6000-156							6.00	152.40	375.0	1668.00	4.500	114.300	3.78	96.01	250	43.8
CV1250-7000-156	1.250	31.750	0.625	15.87			7.00	177.80	367.5	1634.64	5.250	133.350	4.41	112.01	210	36.8
CV1250-8000-156							8.00	203.20	368.0	1636.86	6.000	152.400	5.04	128.02	184	32.2
CV1250-10000-156							10.00	254.00	362.5	1612.40	7.500	190.500	6.30	160.02	145	25.4
CV1250-12000-156							12.00	304.80	372.0	1654.66	9.000	228.600	7.56	192.02	124	21.7
CV1250-1500-200							1.50	38.10	495.0	2201.76	1.275	32.380	1.05	26.67	2200	385
CV1250-1750-200							1.75	44.45	477.6	2124.36	1.487	37.770	1.23	31.12	1816	317.8
CV1250-2000-200							2.00	50.80	448.8	1996.26	1.700	43.180	1.43	36.32	1496	261.8
CV1250-2500-200							2.50	63.50	441.0	1961.57	2.125	53.970	1.75	44.45	1176	205.8
CV1250-3000-200							3.00	76.20	428.4	1905.52	2.550	64.770	2.10	53.34	952	166.6
CV1250-3500-200							3.50	88.90	409.5	1821.46	2.975	75.570	2.45	62.23	780	136.5
CV1250-4000-200					0.200 X 0.286	5.08 X 7.264	4.00	101.60	398.4	1772.08	3.400	86.360	2.80	71.12	664	116.2
CV1250-4500-200							4.50	114.30	394.2	1753.40	3.825	97.150	3.15	80.01	584	102.2
CV1250-5000-200							5.00	127.00	397.5	1768.08	4.250	107.950	3.50	88.90	530	92.8
CV1250-5500-200							5.50	139.70	389.4	1732.05	4.675	118.750	3.85	97.79	472	82.6
CV1250-6000-200							6.00	152.40	405.0	1801.44	5.100	129.540	4.20	106.68	450	78.8
CV1250-7000-200							7.00	177.80	386.4	1718.71	5.950	151.130	4.90	124.46	368	64.4
CV1250-8000-200							8.00	203.20	393.6	1750.73	6.800	172.720	5.60	142.24	328	57.4
CV1250-10000-200							10.00	254.00	384.0	1708.03	8.500	215.900	7.00	177.80	256	44.8
CV1250-12000-200							12.00	304.80	396.0	1761.41	10.200	259.080	8.40	213.36	220	38.5
CV1250-2000-225							2.00	50.80	615.0	2735.52	1.700	43.180	1.50	38.10	2050	359.0
CV1250-2500-225							2.50	63.50	571.9	2543.70	2.125	53.970	1.88	47.63	1525	267.0
CV1250-3000-225							3.00	76.20	549.0	2441.95	2.550	64.770	2.25	57.15	1220	213.6
CV1250-3500-225							3.50	88.90	569.6	2533.69	2.975	75.570	2.63	66.68	1085	190.0
CV1250-4000-225							4.00	101.60	534.0	2375.23	3.400	86.360	3.00	76.20	890	155.8
CV1250-4500-225					0.225 X 0.284	5.715 X 7.214	4.50	114.30	563.6	2507.00	3.825	97.150	3.38	85.73	835	146.2
CV1250-5000-225							5.00	127.00	525.0	2335.20	4.250	107.950	3.75	95.25	700	122.6
CV1250-6000-225							6.00	152.40	517.5	2301.84	5.100	129.540	4.50	114.30	575	100.7
CV1250-8000-225							8.00	203.20	552.0	2455.30	6.800	172.720	6.00	152.40	460	80.5
CV1250-10000-225							10.00	254.00	517.2	2301.84	8.500	215.900	7.50	190.50	345	60.4
CV1250-12000-225							12.00	304.80	486.0	2161.73	10.200	259.080	9.00	228.60	270	47.3
CV1500-2000-135							2.00	50.80	265.0	1178.72	1.500	38.100	1.08	27.43	530	92.8
CV1500-2500-135							2.50	63.50	266.9	1187.17	1.875	47.630	1.25	31.75	427	74.7
CV1500-3000-135							3.00	76.20	270.0	1200.96	2.250	57.150	1.50	38.10	360	63
CV1500-3500-135	1.500	38.100	0.75	19.05	0.135 X 0.345	3.429 X 8.763	3.50	88.90	262.5	1167.60	2.625	66.680	1.75	44.45	300	52.5
CV1500-4000-135							4.00	101.60	249.0	1107.55	3.000	76.200	2.00	50.80	249	43.6
CV1500-4500-135							4.50	114.30	258.8	1151.14	3.375	85.720	2.25	57.15	230	40.3
CV1500-5000-135							5.00	127.00	262.5	1167.60	3.750	95.250	2.50	63.50	210	36.8
CV1500-5500-135							5.50	139.70	254.4	1131.57	4.125	104.780	2.75	69.85	185	32.4





**STOCK HEAVY DUTY COMPRESSION SPRINGS**

Catalog Number	Fits in Hole Size (H)		Fits over Shaft (R)		Wire Size		Free Length (L) (Reference)		Load @ Load Length (P) (Reference)		Load Length (L <sub>1</sub> )		Solid Height (Sh) (Approx.)		Spring Rate ±15%	
	in	mm	in	mm	in	mm	in	mm	lb	N	in	mm	in	mm	lb/in	N/mm
CV1500-6000-135							6.00	152.40	255.0	1134.24	4.500	114.300	3.00	76.20	170	29.8
CV1500-7000-135							7.00	177.80	267.8	1191.17	5.250	133.350	3.50	88.90	153	26.8
CV1500-8000-135					0.135 X 0.345	3.429 X 8.763	8.00	203.20	264.0	1174.27	6.000	152.400	4.00	101.60	132	23.1
CV1500-10000-135							10.00	254.00	265.0	1178.72	7.500	190.500	5.00	127.00	106	18.6
CV1500-12000-135							12.00	304.80	255.0	1134.24	9.000	228.600	6.00	152.40	85	14.9
CV1500-2000-187							2.00	50.80	515.0	2290.72	1.500	38.100	1.26	32.00	1030	180.3
CV1500-2500-187							2.50	63.50	507.5	2257.36	1.875	47.630	1.58	40.01	812	142.1
CV1500-3000-187							3.00	76.20	468.0	2081.66	2.250	57.150	1.89	48.01	624	109.2
CV1500-3500-187							3.50	88.90	472.5	2101.68	2.625	66.680	2.21	56.01	540	94.5
CV1500-4000-187							4.00	101.60	465.0	2068.32	3.000	76.200	2.52	64.01	465	81.4
CV1500-4500-187							4.50	114.30	461.3	2051.86	3.375	85.720	2.84	72.01	410	71.8
CV1500-5000-187					0.187 X 0.312	4.75 X 7.925	5.00	127.00	460.0	2046.08	3.750	95.250	3.15	80.01	368	64.4
CV1500-5500-187							5.50	139.70	453.8	2018.50	4.125	104.780	3.47	88.01	330	57.8
CV1500-6000-187							6.00	152.40	442.5	1968.24	4.500	114.300	3.78	96.01	295	51.6
CV1500-7000-187							7.00	177.80	446.3	1985.14	5.250	133.350	4.41	112.01	255	44.6
CV1500-8000-187							8.00	203.20	440.0	1957.12	6.000	152.400	5.04	128.02	220	38.5
CV1500-10000-187							10.00	254.00	440.0	1957.12	7.500	190.500	6.30	160.02	176	30.8
CV1500-12000-187							12.00	304.80	432.0	1921.54	9.000	228.600	7.56	192.02	144	25.2
CV1500-2000-225							2.00	50.80	594.0	2642.11	1.700	43.180	1.40	35.56	1980	346.5
CV1500-2500-225							2.50	63.50	581.3	2585.62	2.125	53.970	1.75	44.45	1550	271.3
CV1500-3000-225	1.500	38.100	0.75	19.05			3.00	76.20	585.0	2602.08	2.550	64.770	2.10	53.34	1300	227.5
CV1500-3500-225							3.50	88.90	558.6	2484.65	2.975	75.570	2.45	62.23	1064	186.2
CV1500-4000-225							4.00	101.60	547.2	2433.95	3.400	86.360	2.80	71.12	912	159.6
CV1500-4500-225							4.50	114.30	550.8	2449.96	3.825	97.150	3.15	80.01	816	142.8
CV1500-5000-225					0.225 X 0.337	5.715 X 8.56	5.00	127.00	547.5	2435.28	4.250	107.950	3.50	88.90	730	127.8
CV1500-5500-225							5.50	139.70	552.8	2458.85	4.675	118.750	3.85	97.79	670	117.3
CV1500-6000-225							6.00	152.40	525.6	2337.87	5.100	129.540	4.20	106.68	584	102.2
CV1500-7000-225							7.00	177.80	520.8	2316.52	5.950	151.130	4.90	124.46	496	86.8
CV1500-8000-225							8.00	203.20	518.4	2305.84	6.800	172.720	5.60	142.24	432	75.6
CV1500-10000-225							10.00	254.00	543.0	2415.26	8.500	215.900	7.00	177.80	362	63.4
CV1500-12000-225							12.00	304.80	540.0	2401.92	10.200	259.080	8.40	213.36	300	52.5
CV1500-2000-300							2.00	50.80	1225.5	5451.02	1.700	43.180	1.55	39.37	4085	715.3
CV1500-2500-300							2.50	63.50	1231.9	5479.38	2.125	53.970	1.88	47.63	3285	575.2
CV1500-3000-300							3.00	76.20	1147.5	5104.08	2.550	64.770	2.25	57.15	2550	446.5
CV1500-3500-300							3.50	88.90	1120.9	4985.65	2.975	75.570	2.63	66.68	2135	373.8
CV1500-4000-300							4.00	101.60	1107.0	4923.94	3.400	86.360	3.00	76.20	1845	323.1
CV1500-4500-300					0.300 X 0.346	7.62 X 8.788	4.50	114.30	1096.9	4878.90	3.825	97.150	3.38	85.73	1625	284.5
CV1500-5000-300							5.00	127.00	1087.5	4837.20	4.250	107.950	3.75	95.25	1450	253.9
CV1500-6000-300							6.00	152.40	1084.5	4823.86	5.100	129.540	4.50	114.30	1205	211.0
CV1500-8000-300							8.00	203.20	1086.0	4830.53	6.800	172.720	6.00	152.40	905	158.5
CV1500-10000-300							10.00	254.00	1065.0	4737.12	8.500	215.900	7.50	190.50	710	124.3
CV1500-12000-300							12.00	304.80	999.0	4403.52	10.200	259.080	9.00	228.60	550	96.3
CV2000-2500-195							2.50	63.50	625.0	2780.00	1.875	47.630	1.40	35.56	1000	175
CV2000-3000-195							3.00	76.20	622.5	2768.88	2.250	57.150	1.60	40.64	830	145.3
CV2000-3500-195							3.50	88.90	592.4	2635.00	2.625	66.680	1.83	46.48	677	118.5
CV2000-4000-195							4.00	101.60	600.0	2668.80	3.000	76.200	2.05	52.07	600	105
CV2000-4500-195							4.50	114.30	596.3	2652.34	3.375	85.720	2.35	59.69	530	92.8
CV2000-5000-195					0.195 X 0.468	4.953 X 11.887	5.00	127.00	587.5	2613.20	3.750	95.250	2.55	64.77	470	82.3
CV2000-5500-195							5.50	139.70	556.9	2477.09	4.125	104.780	2.75	69.85	405	70.9
CV2000-6000-195							6.00	152.40	585.0	2602.08	4.500	114.300	3.00	76.20	390	68.3
CV2000-7000-195							7.00	177.80	546.0	2428.61	5.250	133.350	3.50	88.90	312	54.6
CV2000-8000-195							8.00	203.20	570.0	2535.36	6.000	152.400	4.00	101.60	285	49.9
CV2000-10000-195	2.000	50.800	1	25.4			10.00	254.00	540.0	2401.92	7.500	190.500	5.00	127.00	216	37.8
CV2000-12000-195							12.00	304.80	555.0	2468.64	9.000	228.600	6.00	152.40	185	32.4
CV2000-2500-225							2.50	63.50	740.0	3291.52	1.875	47.630	1.58	40.01	1184	207.2
CV2000-3000-225							3.00	76.20	697.5	3102.48	2.250	57.150	1.89	48.01	930	162.8
CV2000-3500-225							3.50	88.90	684.3	3043.77	2.625	66.680	2.21	56.01	782	136.9
CV2000-4000-225							4.00	101.60	664.0	2953.47	3.000	76.200	2.52	64.01	664	116.2
CV2000-4500-225					0.225 X 0.437	5.715 X 11.1	4.50	114.30	675.0	3002.40	3.375	85.720	2.84	72.01	600	105
CV2000-5000-225							5.00	127.00	667.5	2969.04	3.750	95.250	3.15	80.01	534	93.5
CV2000-5500-225							5.50	139.70	673.8	2997.06	4.125	104.780	3.47	88.01	490	85.8
CV2000-6000-225							6.00	152.40	675.0	3002.40	4.500	114.300	3.78	96.01	450	78.8
CV2000-7000-225							7.00	177.80	654.5	2911.22	5.250	133.350	4.41	112.01	374	65.5
CV2000-8000-225							8.00	203.20	660.0	2935.68	6.000	152.400	5.04	128.02	330	57.8



TO ORDER: WWW.ASRAYMOND.COM OR SEE PHONE & FAX NUMBERS ON BACK COVER



**STOCK HEAVY DUTY COMPRESSION SPRINGS**

Catalog Number	Fits in Hole Size (H)		Fits over Shaft (R)		Wire Size		Free Length (L) (Reference)		Load @ Load Length (P) (Reference)		Load Length (L <sub>1</sub> )		Solid Height (Sh) (Approx.)		Spring Rate ±15%	
	in	mm	in	mm	in	mm	in	mm	lb	N	in	mm	in	mm	lb/in	N/mm
CV2000-10000-225					0.225 X 0.437	5.715 X 11.1	10.00	254.00	650.0	2891.20	7.500	190.500	6.30	160.02	260	45.5
CV2000-12000-225							12.00	304.80	645.0	2868.96	9.000	228.600	7.56	192.02	215	37.6
CV2000-2500-280							2.50	63.50	942.0	4190.02	2.125	53.970	1.75	44.45	2512	439.6
CV2000-3000-280							3.00	76.20	927.0	4123.30	2.550	64.770	2.10	53.34	2060	360.5
CV2000-3500-280							3.50	88.90	892.5	3969.84	2.975	75.570	2.45	62.23	1700	297.5
CV2000-4000-280							4.00	101.60	900.0	4003.20	3.400	86.360	2.80	71.12	1500	262.5
CV2000-4500-280							4.50	114.30	858.6	3819.05	3.825	97.150	3.15	80.01	1272	222.6
CV2000-5000-280					0.280 X 0.470	7.112 X 11.938	5.00	127.00	889.5	3956.50	4.250	107.950	3.50	88.90	1186	207.6
CV2000-5500-280							5.50	139.70	888.5	3952.05	4.675	118.750	3.85	97.79	1077	188.5
CV2000-6000-280							6.00	152.40	879.3	3911.13	5.100	129.540	4.20	106.68	977	171
CV2000-7000-280							7.00	177.80	861.0	3829.73	5.950	151.130	4.90	124.46	820	143.5
CV2000-8000-280	2.000	50.800	1	25.4			8.00	203.20	876.0	3896.45	6.800	172.720	5.60	142.24	730	127.8
CV2000-10000-280							10.00	254.00	858.0	3816.38	8.500	215.900	7.00	177.80	572	100.1
CV2000-12000-280							12.00	304.80	858.6	3819.05	10.200	259.080	8.40	213.36	477	83.5
CV2000-2500-365							2.50	63.50	1541.3	6855.70	2.125	53.970	1.90	48.26	4110	719.7
CV2000-3000-365							3.00	76.20	1435.5	6385.10	2.550	64.770	2.30	58.42	3190	558.3
CV2000-3500-365							3.50	88.90	1451.1	6454.49	2.975	75.570	2.63	66.68	2764	484.0
CV2000-4000-365							4.00	101.60	1386.6	6167.60	3.400	86.360	3.03	76.96	2311	404.4
CV2000-4500-365					0.365 X 0.460	9.271 X 11.684	4.50	114.30	1274.4	5668.53	3.825	97.150	3.38	85.73	1888	330.4
CV2000-5000-365							5.00	127.00	1353.0	6018.14	4.250	107.950	3.75	95.25	1804	315.7
CV2000-6000-365							6.00	152.40	1325.7	5896.71	5.100	129.540	4.50	114.30	1473	257.8
CV2000-8000-365							8.00	203.20	1339.2	5956.76	6.800	172.720	6.00	152.40	1116	195.3
CV2000-10000-365							10.00	254.00	1326.0	5898.05	8.500	215.900	7.50	190.50	884	154.7
CV2000-12000-365							12.00	304.80	1281.6	5700.56	10.200	259.080	9.00	228.60	712	124.6

**SPEC** TO ORDER: [WWW.ASRAYMOND.COM](http://WWW.ASRAYMOND.COM) OR SEE PHONE & FAX NUMBERS ON BACK COVER



Lined area for notes, consisting of multiple horizontal gray lines.



**WE HAVE DISTRIBUTION CENTERS ALL OVER THE WORLD. SEE PAGE 177.**